

## GA16 Push Button Lock With Security Action

### Features

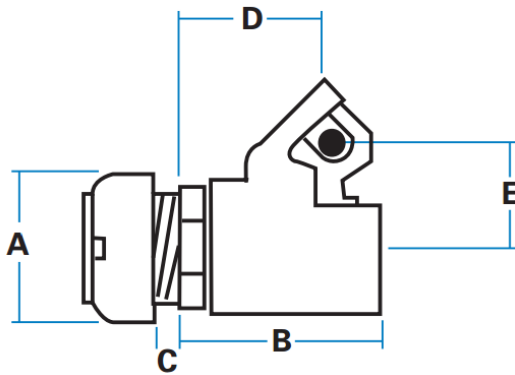
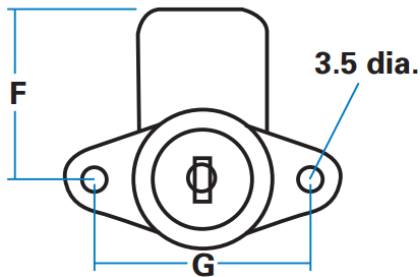
- Designed to prevent accidental opening of compartments where movement and vibration are involved
- Slams against a striker (suitable rod / loop of 3 mm diameter), and is opened by pushing the front button
- Opens with gentle pressure on front button face
- Key turns 180° to block button

### Notes

- Insert from rear into circular panel cut-out, fix through front flange
- A large chrome finishing bezel screws onto threaded 'neck' for good appearance and allows some adjustment for panel thickness



GA16-G29072



Part No.	Type	A	B	C	D	E	F	G
GA16-G29072	FT Key	25	27	Up to 3 mm	23	20	30	40
GA16-G29072-01	FTIII Key							
GA16-G29073	Plain Button							